

	a	b	c
100 W	325 mm / 9.75 in	234 mm / 7.02 in	38 mm / 1.14 in
150 W	385 mm / 11.55 in	282 mm / 8.46 in	38 mm / 1.14 in
200 W	420 mm / 12.60 in	314 mm / 9.42 in	42 mm / 1.26 in

### 340007-DW-US

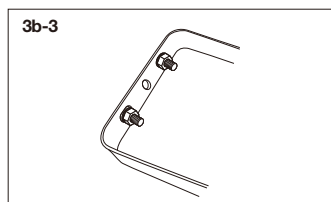
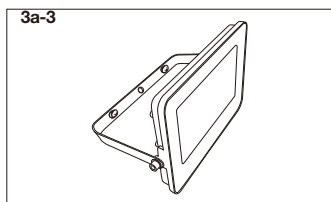
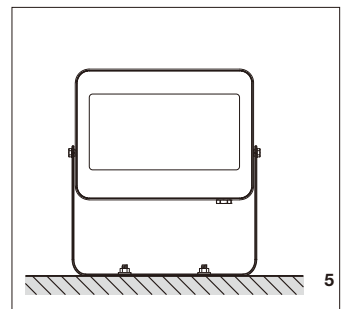
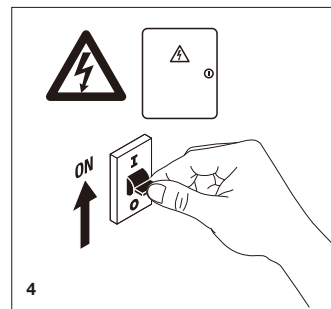
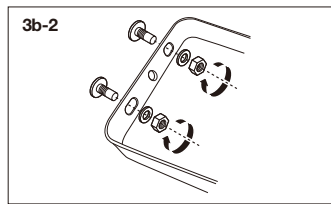
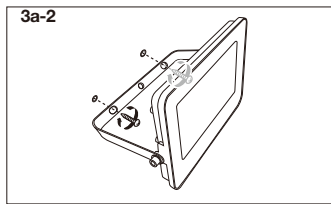
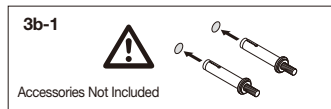
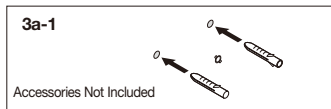
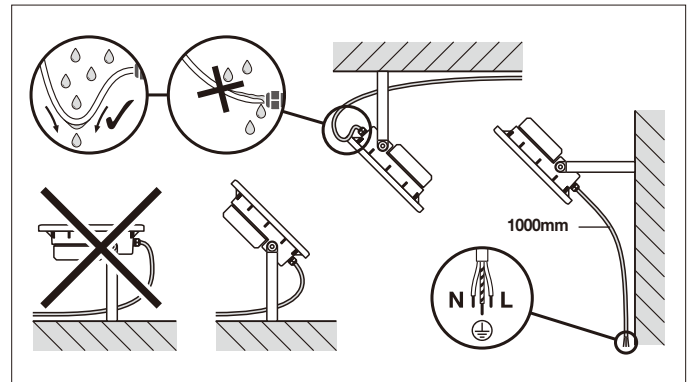
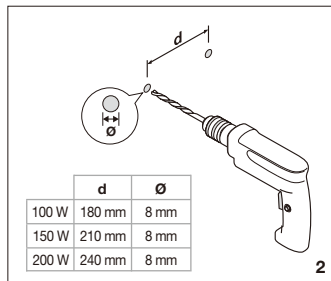
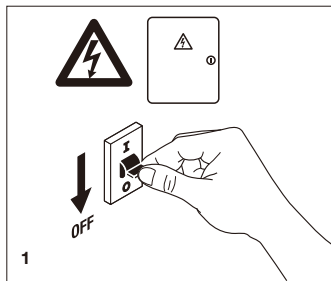
100 W / 110-130 V~ / 9000 lm / 5000 K / 60 Hz / 120° / IP65 / -25 °C~45 °C / -13 °F~113 °F

### 340008-DW-US

150 W / 110-130 V~ / 13400 lm / 5000 K / 60 Hz / 120° / IP65 / -25 °C~45 °C / -13 °F~113 °F

### 340009-DW-US

200 W / 110-130 V~ / 17100 lm / 5000 K / 60 Hz / 120° / IP65 / -25 °C~45 °C / -13 °F~113 °F



1. This product is class I and must be earthed.
2. Please switch off mains supply before installation.
3. Ensure all seals are intact and operational after installation or maintenance.
4. Do not touch the light while in use or just after use to avoid being burnt.
5. Do not cover the light.
6. Keep the light away from flammable and explosive materials.
7. Any damaged or damaged parts should be replaced as soon as possible.
8. The LEDs cannot be replaced, you need to replace the entire fixture when the light no longer works.
9. **INSTALLATION OR ASSEMBLY: CONSULT A QUALIFIED ELECTRICIAN TO ENSURE CORRECT BRANCH CIRCUIT CONDUCTOR**

Q: The lamp does not work?

A: Please make sure the lamp switch is on, powered, make sure the plug is not loose.

#### Home EVER Inc.

1810 E Sahara Ave Suite 1526, Las Vegas, NV 89104, United States  
www.lepro.com +1 866-287-2558 cs.oc@lepro.com Made in China

The device complies with part 15 of the FCC Rules. Operation is subject to the following two conditions: (1) This device may not cause harmful interference, and (2) this device must accept any interference received, including interference that may cause undesired operation.