

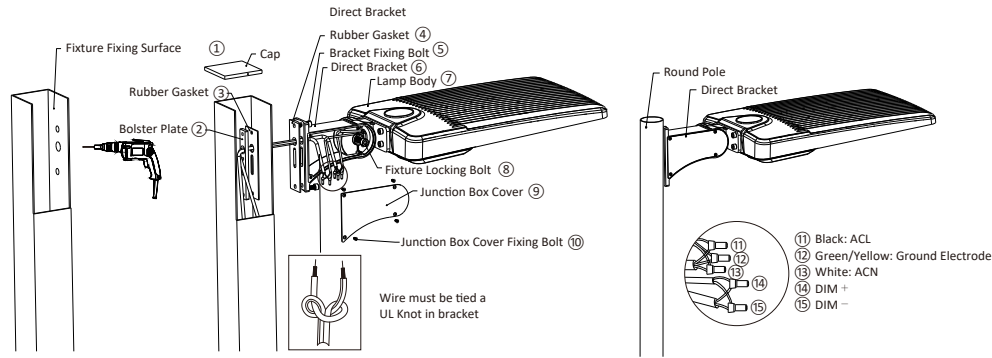
# LED Shoebox Light User Guide

## Caution:

1. To avoid electric shock and fire, the lights must be installed by a person with professional knowledge of luminaire electrical systems or a qualified electrician.
2. Please wear protective gloves to avoid injury while installing this light.
3. During or after installation, if there is any signs of smoke, fire in wires or lights, turn off all power immediately and notify relevant personnel or authorities of an overhaul.
4. This light can be used for indoor and outdoor installation.

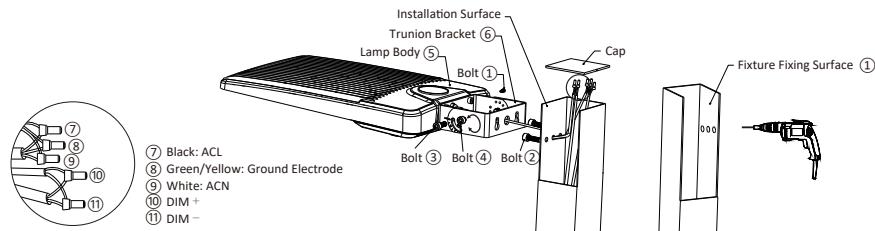
## Warning:

1. Please abide by related country, regional, and local laws and regulations when installing this light.
2. To avoid electrical shock and damage, please do not install this light during inclement weather. There are potential safety hazards when working with electrical elements in wet weather.
3. Do not test this luminaire with unstable voltage (e.g. electrical generator etc.).



## Installation IV

1. Drill holes on the required fixture surface. The hole pitch should match the trunnion bracket's (6).
2. Put the trunnion bracket against to the required fixture surface, and tighten the bolt (2).
3. Push the wire through the pole and trunnion bracket. Connect the power wire to pole wire and making sure the wire and connection are protected from damage. Note the polarity.
4. Loosen bolts (3) and (1) and adjust lamp body (5) to required angle. Then tighten bolts.
5. Attach the pole cap if there is one.



## Notice:

LED shoebox light can be equipped with dimmer, photocell sensor, and microwave sensor if required.

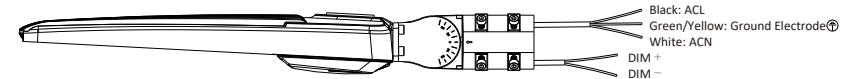
## Warning/Arertissement:

- MIN90 °C SUPPLY CONDUCTOR
- THIS PRODUCT MUST BE INSTALLED IN ACCORDANCE WITH THE APPLICABLE INSTALLATION CODE BY A PERSON FAMILIAR WITH THE CONSTRUCTION AND OPERATION OF THE PRODUCT AND THE HAZARDS INVOLVED.

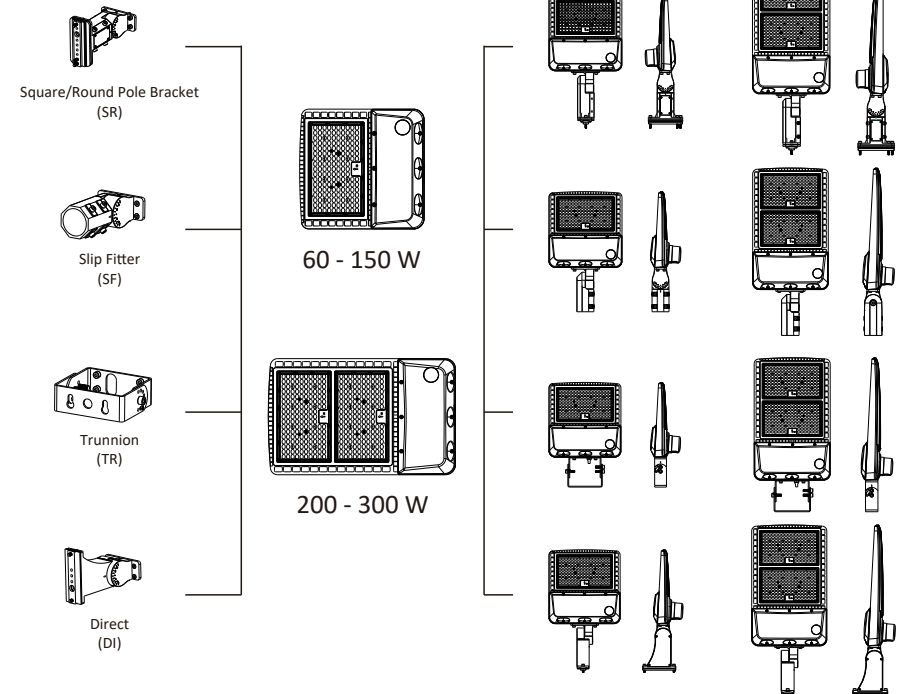
- LES FILS D'ALIMENTATION 90 °C MIN
- CE PRODUIT DOIT ETRE INSTALLE SELON LE CODE D'INSTALLATION PERTINENT, FONCTIONNEMENT AINSI QUE LES PISQUES INHERETS.

## Wiring Diagram:

Please check the label for the wire color of DIM+ and DIM-.



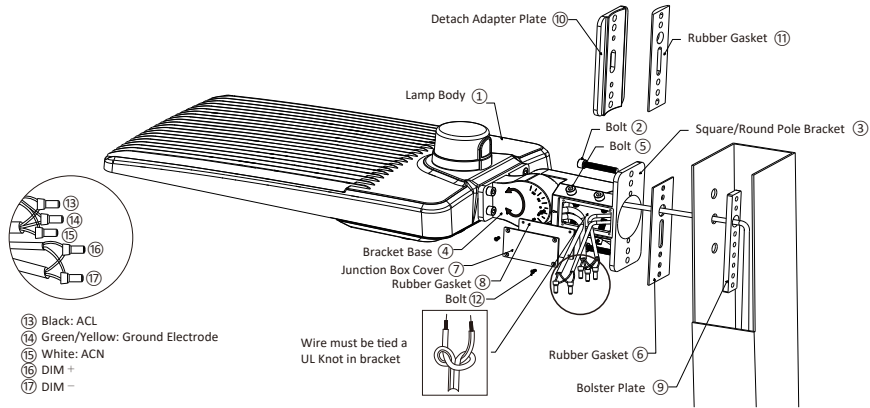
## Bracket Options:



# Installation I

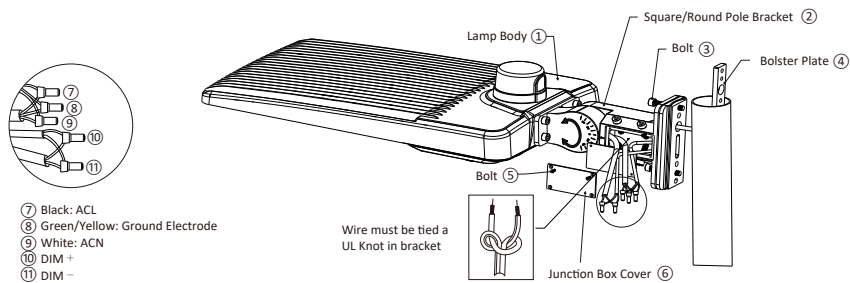
## Installation 1.1

1. Detach adapter plate ⑩ and rubber gasket ⑪ from the bracket.
2. Make sure the square pole or fixture surface has matching installation holes.
3. Push the wire through the hole and square/round pole bracket ③, protecting the wire from damage.
4. Put square/round pole bracket ③ against to the fixture surface and the rubber gasket ⑥ between the square/round pole bracket ③ and required fixture surface, then attach the square/round pole bracket ③ to the square pole with bolt ②.
5. Attach the bolster plate ⑨ to the inside surface of the square pole if necessary, then tighten the bolster plate ⑨ with bolt ②.
6. Connect the power wire to the pole wire, making sure the wire and connection are protected, then attach the rubber gasket ⑧ and junction box cover ⑦ with a bolt ⑫.
7. Adjust the lamp body ① to required angle, then tighten with bolt.



## Installation 1.2

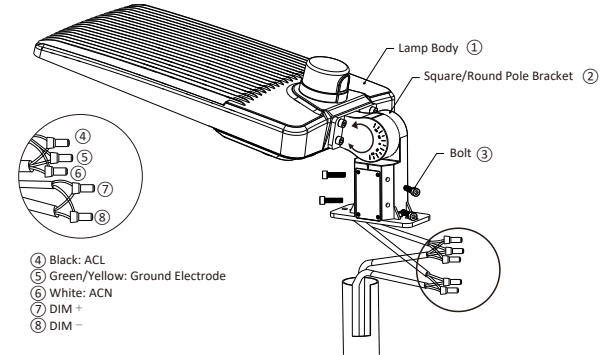
1. Make sure the round pole has matching installation holes.
2. Push the wire through the hole and square/round pole bracket ③, protecting the wire from damage.
3. Attach the bolster plate ④ to inside surface of the round pole with bolt ③.
4. Connect the power wire to the pole wire, making sure the wire and connection are protected. Then attach the junction box cover ⑥ with bolt ⑤.
5. Adjust the lamp body to the required angle, then tighten with bolt.



2

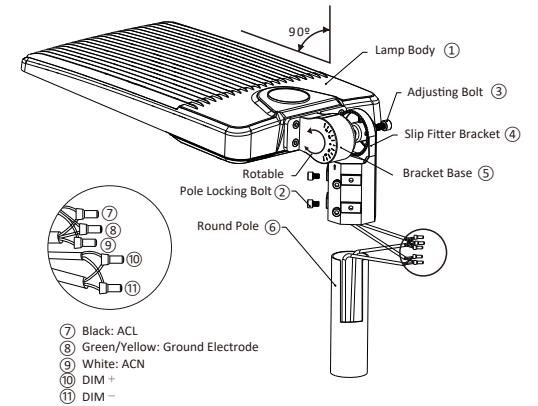
## Installation 1.3

1. Connect the power wire to the pole wire making sure the wire and connection are protected. Then put the wire connection into the square/round pole bracket protecting the wire from damage.
2. Loosen the bolt ③, put the round pole into the square/round pole bracket ②, and then fasten the bolt ③.
3. Adjust the lamp body to the required angle, then tighten with bolt.



## Installation II

1. Connect the wire between the fixture and the pole, then put the wire into pole. Pay attention to the polarity of the wire.
2. Loosen the pole locking bolts ②, put the slip fitter bracket ④ into the pole, and then fasten the pole locking bolts ②. Be sure to protect the wire from damage when installing the lamp body.
3. Loosen the adjusting bolts ③, adjusting the lamp body ① to the required angle, and then tighten the adjusting bolts ③.



## Installation III

These installation steps can also be applied to round pole.

1. Drill holes on the required fixture surface. The hole pitch should match the direct bracket ⑥.
2. Install the bolster plate ② and rubber gasket ③ on the inside surface of the square pole, then fix the direct bracket to the square pole and tighten with bracket .xing bolt ⑤, bolster plate ② and rubber gasket ④.
3. Let the wire go through the pole and direct bracket in matched hole. Connect the power wire to pole wire and making sure the wire and connection are protected. Then put the wire connection into the direct bracket.
4. Loosen the fixture locking bolt ⑧ and adjust lamp body ⑦ to required angle, then tighten the bolt.
5. Affix the junction box cover ⑨ and tighten it with the bolt ⑩.
6. Affix the pole cap.

3